

Illustration - Type - E

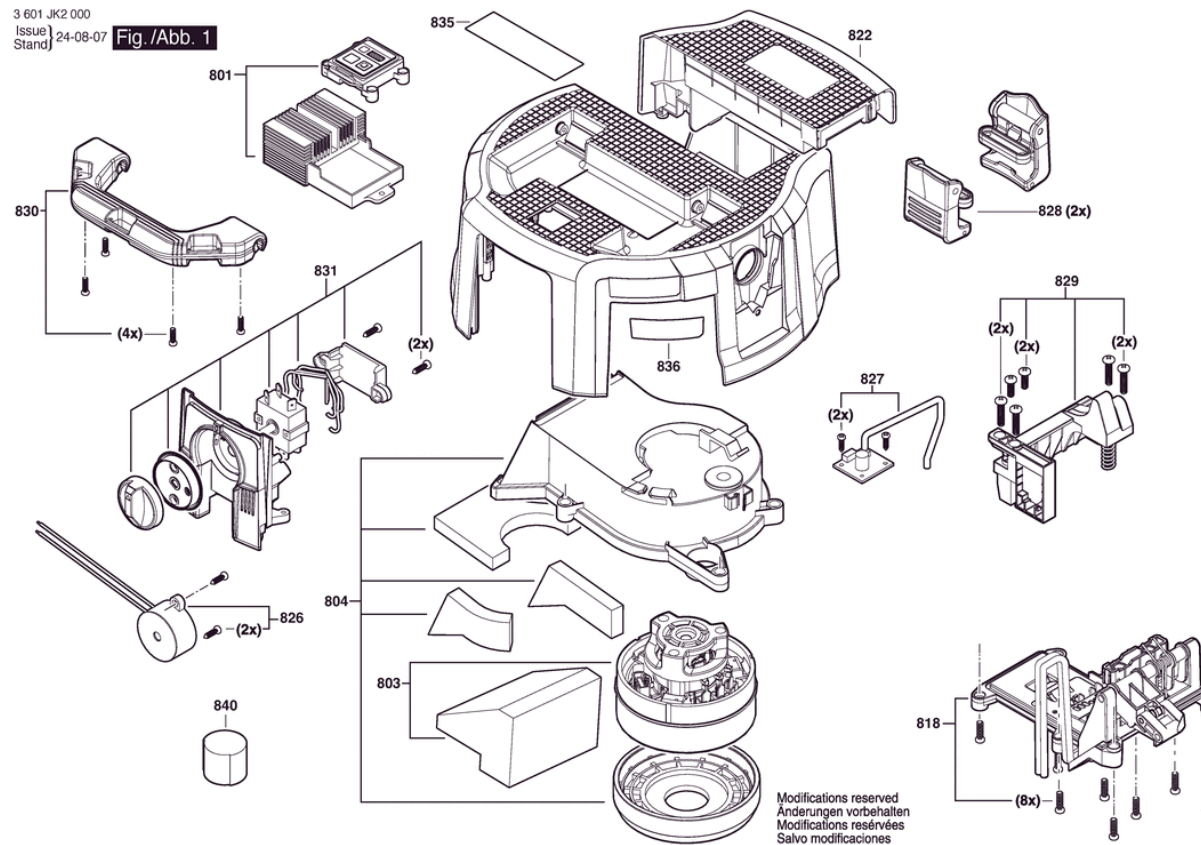
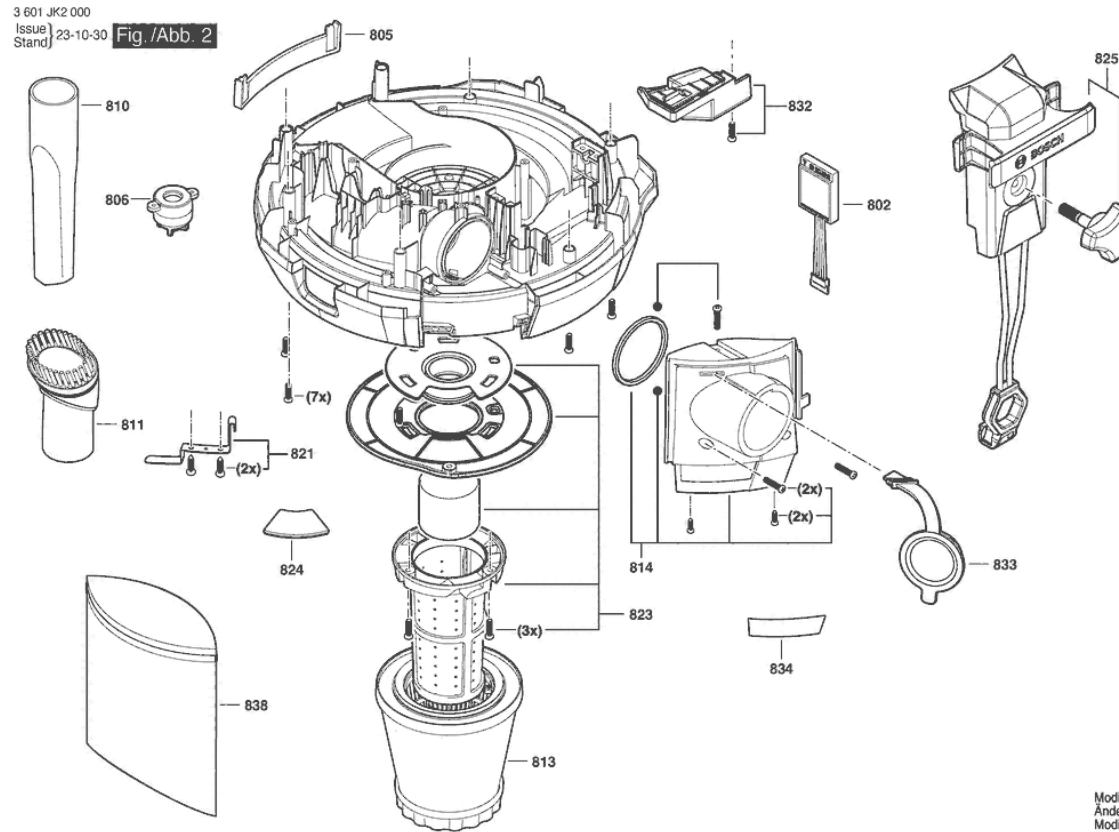


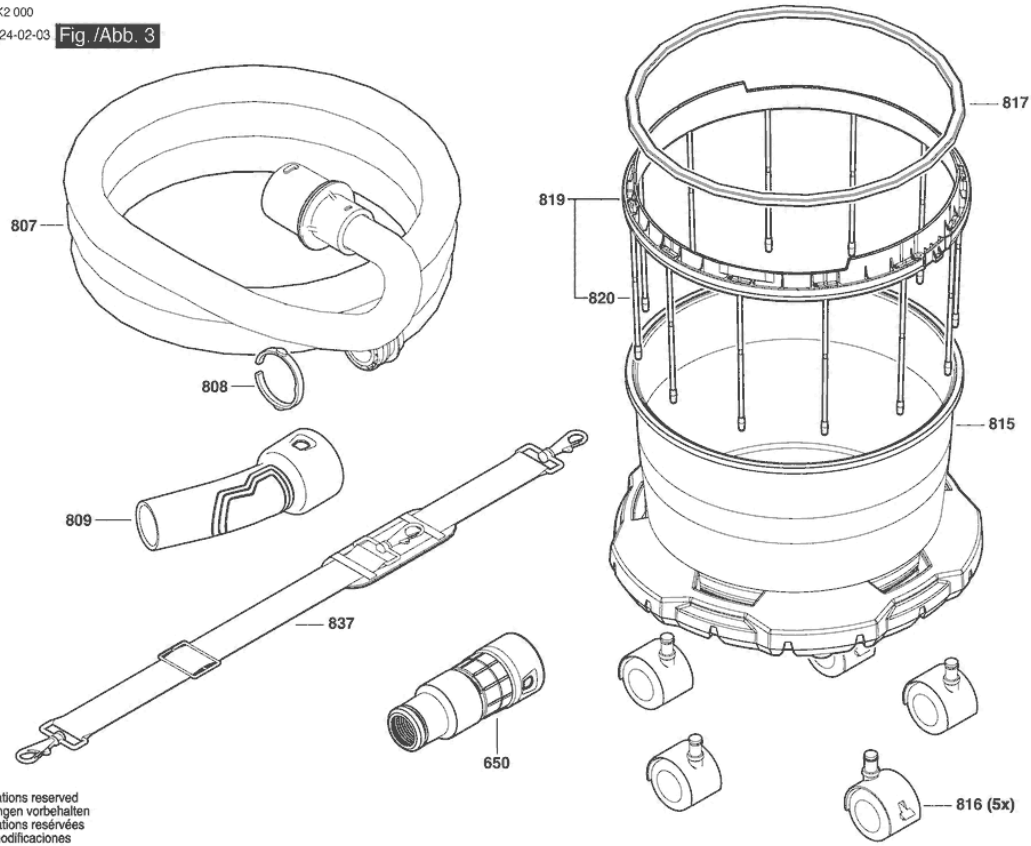
Illustration - Type - E



Modifications reserved
Änderungen vorbehalten
Modifications réservées
Salvo modificaciones

Illustration - Type - E

3 601 JK2 000
Issue 24-02-03
Stand Fig./Abb. 3



Modifications reserved
Änderungen vorbehalten
Modifications réservées
Salvo modificaciones

Spare parts list

Item	Part Number	Description	Illustration
801	1 600 A02 2VB	Electronics Module	1
803	1 600 A02 2VK	Motor assembly	1
804	1 600 A02 2VJ	Motor Guard	1
818	1 600 A02 2VF	Contact retainer	1
822	1 600 A02 2VD	Battery Cover	1
826	1 600 A02 2VG	Siren	1
827	1 600 A02 2VU	Pressure Sensor	1
828	1 600 A02 2VH	Latch	1
829	1 600 A02 2VV	Cleaning device	1
830	1 605 132 19L	Handle	1
831	1 607 200 37Z	Switch	1
835	1 601 11C 3XA	Sticker	1
836	1 601 11C 3XE	Manufacturer's nameplate	1
839	6 082 801 0AZ	Disposal	1
840	1 600 A03 5DY	Plug	1
802	1 619 P18 072	Module	2
805	1 600 A02 H73	Grating	2
806	1 600 A02 2W1	Valve	2
810	1 600 A02 2W5	Crevice Nozzle	2
811	1 600 A02 2W6	Suction Brush	2
813	1 600 A02 2VT	Suction Filter	2
814	1 600 A02 38X	Hose Coupling Pipe	2
821	1 600 A02 2VY	Contact Spring	2
823	1 600 A02 2VP	Float	2
824	1 600 A02 2VN	Seal	2
825	1 600 A02 2VX	Support	2
832	1 600 A02 2VE	Release pin	2
833	1 600 A02 ZZ9	Plug	2
834	1 601 11A B3E	Nameplate	2
838	1 600 A02 48F	Belt	2
650	1 600 A03 OKS	Adapter	3
807	1 600 A02 2W3	Corrugated Hose	3
808	1 600 A01 1RM	Clamping Ring 2 PIECE	3
809	1 600 A02 2W4	Pipe Elbow	3
815	1 605 411 02B	Dust container	3

Spare parts list

Item	Part Number	Description	Illustration
816	1 600 A02 2W2	Impeller	3
817	1 600 A02 2VM	Seal	3
819	1 600 A02 2VR	Retaining snap ring	3
820	1 600 A02 2VS	Bar	3